

BEFORE YOU BEGIN

开始之前

- Congratulation on your purchase of this high quality Bathroom Accessory. Before proceeding with the installation, please carefully read this installation instruction in order to ensure proper care and assembly of this accessory.
 - Please keep this installation instruction for future reference.
 - This light must be installed in the vertical surface which is 1.2 meters away from the shower, and fall above 0.5 meters away from the floor.
 - This light must be installed in the way that the shade opening faces downward.
 - Note: Keep the light away from water.
- 首先恭喜您购买到了高档的卫浴产品，为了使您正确保护和组装产品，在您安装之前请仔细阅读此说明书。
 - 请保留此说明书以备参考。
 - 此灯必须位于距离花洒1.2米的竖直平面之外，同时距离地面0.5米之上。
 - 此灯必须以灯罩开口端朝下的方向安装。
 - 注意：不要让水喷洒到灯具上。



Prior to drilling into walls, check there are no hidden electrical wires, cables or water supply pipes with the aid of ar, electronic detector. If you use power tools do not forget:

1. Wear eye protection.
2. Unplug equipment after use.

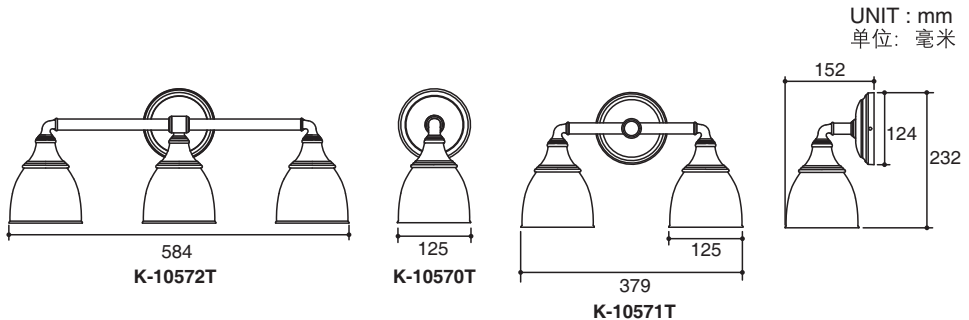


警示：在钻孔之前，请借助电子探测仪确认墙内是否有电源线，通讯光缆或者水管之类的东西。如果使用电钻的话请勿忘记以下两点：

1. 请戴上防护镜。
2. 用完设备后关掉电源。

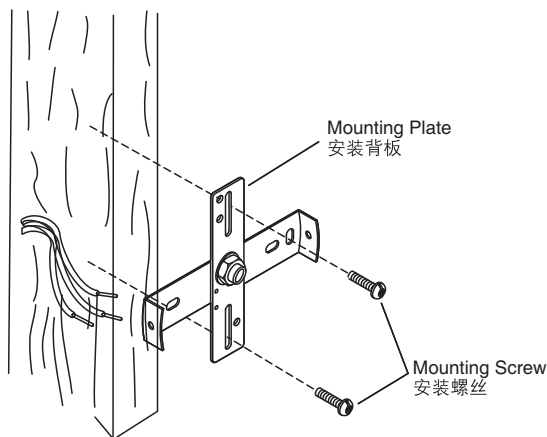
ROUGHING-IN

尺寸图



科勒(中国)投资有限公司
 上海市闸北区江场三路158号 邮编：200436

INSTALL THE MOUNTING PLATE 安装安装背板



⚠ DANGER: Risk of personal injury. To avoid possible electrical shock, the electricity must be turned off at the circuit breaker or fuse box before attempting any installation procedure.

⚠ 注意危险：防止安装过程中受伤。为了预防潜在的触电危险，在任何安装步骤之前，必须切断断路器或保险丝盒电源。

- If you have not already done so, Turn off the electricity the circuit breaker or fuse box.
- Carefully pull the wiring out from the outlet box and allow the wires to hang down.
- Place the flat side of the mounting plate flat against the outlet box.
- Align the mounting holes on the mounting plate with the holes on the outlet box.
- Securely tighten the mounting plate to outlet box with the mounting screws.
- 如果您还未进行此项操作，请立即切断断路器或保险丝盒电源。
- 小心将电源盒中的电线拉出，使电线散挂在外。
- 将安装背板的平整面正对电源盒。
- 将安装背板上的安装孔与电源盒上的安装孔对齐。
- 使用安装螺丝将安装背板安全固定于电源盒上。

CONNECT THE ELECTRICAL WIRES 连接电线

Fixture 接线座	Outlet 电源电线
⏏	Ground 地线
N	Neutral 零线
L	Hot 火线

⚠ DANGER: Risk of personal injury. To avoid possible electrical shock, the outlet box must be properly grounded.

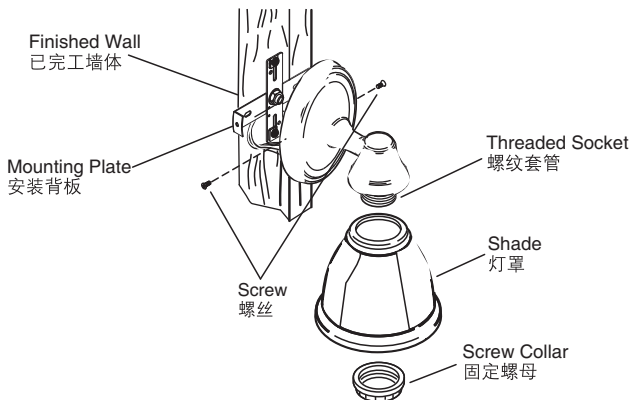
- Attach the ground wire from the outlet box to the ground wire terminal of the terminal box.
- Attach the hot wire from the outlet box to the hot wire terminal of the terminal box.
- Attach the neutral wire from the outlet box to the hot neutral terminal of the terminal box.
- Verify all the terminals are securely fastened and wire strands are not exposed.
- Carefully place the terminal box into the outlet box.
- Position the back Plate of the fixture over the mounting plate.

⚠ 注意危险: 防止安装过程中受伤。为了预防潜在的触电危险，电源盒必须有效接地。

- 将电源盒的地线与接线座的接地端子相连。
- 将电源盒的火线与接线座的火线端子相连。
- 将电源盒的零线与接线座的零线端子相连。
- 检查确保所有的接线端子都已安全紧固，并且没有电线暴露在外。
- 将接线座小心的放入电源盒。
- 将灯座置于安装背板之上。

INSTALL THE WALL SCONCE

安装壁灯



NOTE: The illustration may differ from the actual product, the instructions still apply.

- Secure the fixture to the mounting plate with the screws. The fixture should be flush against the finished wall.
- Remove the screw collar(s) from the threaded socket(s) of the fixture.
- Position the shade(s) on the threaded socket(s).
- Hand tighten the screw collar onto the threaded socket to secure the shade(s) in place.
- Insert the bulb of E27 into the socket cup. (Please note that the power rating of the bulb should within the limit of power rating which listed on the label.)
- Turn on the main electrical supply from the Main fuse or circuit breaker.
- Check for proper operation.

注意：图释可能与实际产品存在差异，但安装说明仍旧适用。

- 使用螺丝将灯座固定于安装背板之上，灯座应与已完工墙体紧贴。
- 将灯座螺纹套管上的固定螺母卸下。
- 将灯罩置于螺纹套管上。
- 手动旋紧固定螺母，将灯罩固定。
- 将E27规格的灯泡装入底座。(请注意，灯泡的功率数不可大于标贴规定的额定功率数。)
- 连接断路开关或保险丝，打开主电源。
- 检查灯具是否工作正常。