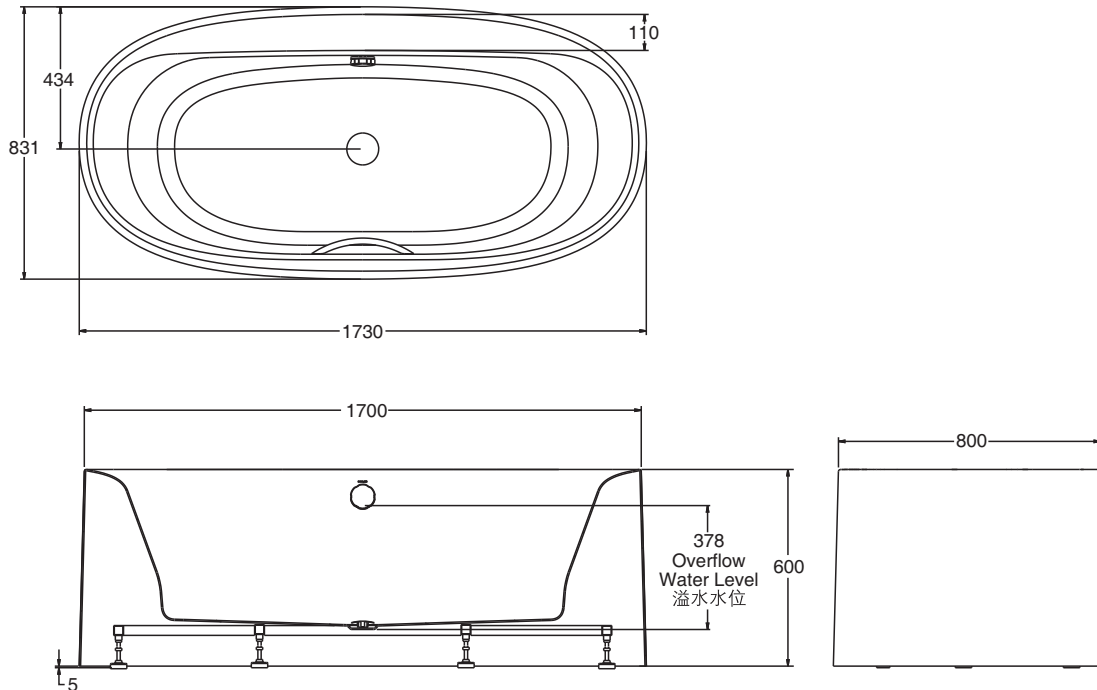


ROUGHING-IN 产品尺寸图 (Unit:mm) (单位: 毫米)



PRODUCT INFORMATION 产品信息

| | |
|--|--------------------------|
| Weight重量 | 62kg(公斤) |
| Water depth深度 (To overflow hole bottom 至溢水孔底部) | 378mm (毫米) |
| Capacity水容量 (To overflow hole bottom 至溢水孔底部) | 224L (升) |
| Basin area底部面积 | 1148mm (毫米) × 469mm (毫米) |
| Top area顶部面积 | 1645mm (毫米) × 638mm (毫米) |

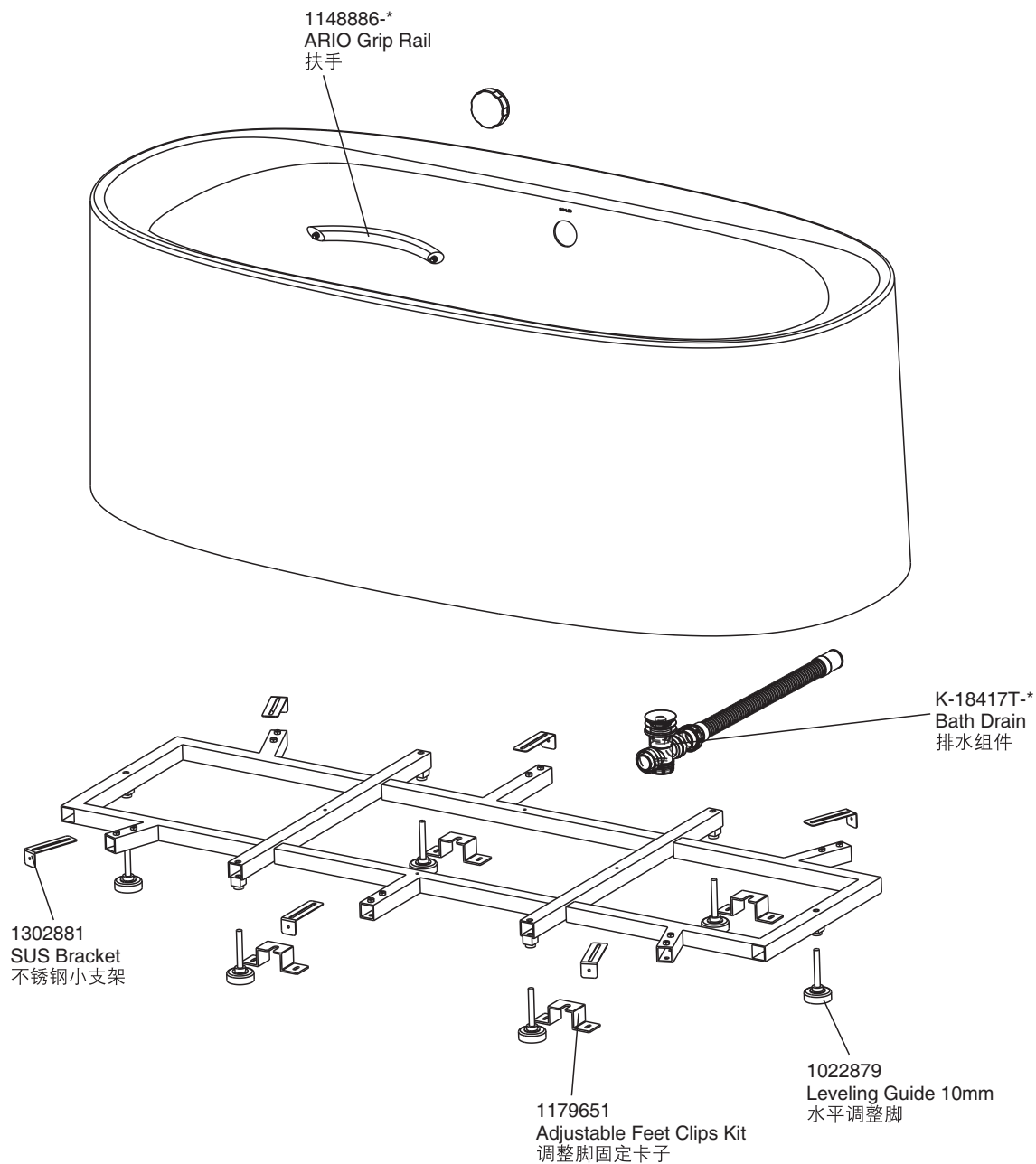
Installation Notes 安装要点

- Refer to installation instruction included with fixture before beginning installation.
- 开始安装前请参考浴缸包装中的安装说明书。
- Unless otherwise specified floor support under bath must provide for a minimum of 400kg loading (including the weight of bathtub, water and one user).
- 除非另有说明, 否则浴缸下地面必须至少可以承载400kg的负载(包含浴缸、水及一名使用者的重量)。

Included Accessory Information 包含配件信息

| | |
|---|------------|
| Bath Drain 落水..... | K-18417T-* |
| ARIO Grip Rail 扶手..... | 1148886-* |
| Adjustable Feet Clips Kits 调整脚固定卡子..... | 1179651 |

Compiled information is subject to change without prior notice
收录信息如有变动恕不另行通知



Color code (-*) must be specified when ordering.
订购时请说明颜色代码(-*)