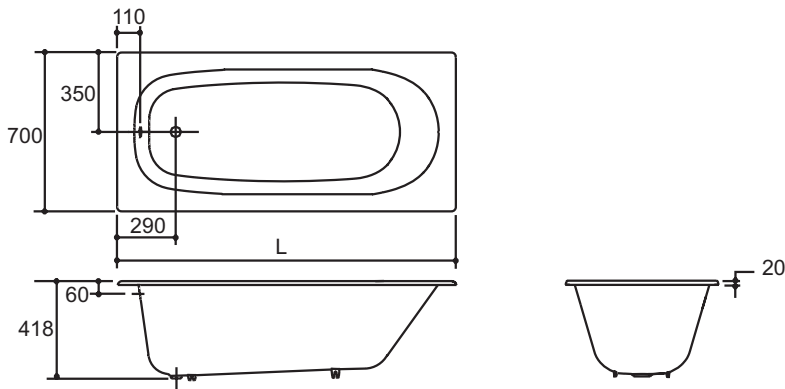


K-940T/K-940T-GR
K-941T/K-941T-GR
K-943T/K-943T-GR

产品尺寸图 ROUGHING-IN (单位: 毫米) (Unit:mm)



产品信息 PRODUCT INFORMATION

	K-940T/K-940T-GR	K-941T/K-941T-GR	K-943T/K-943T-GR
重量 Weight	90公斤 (KG)	84公斤 (KG)	115.4公斤 (KG)
长度 Length	1700毫米 (mm)	1500毫米 (mm)	1600毫米 (mm)

切割图尺寸 Cut-out Dimensions

K-940T/K-940T-GR	1662mm × 662mm
K-941T/K-941T-GR	1462mm × 662mm
K-943T/K-943T-GR	1562mm × 662mm

可选配件信息 Optional Accessory Information

排水 Drain	K-17295T-CP
扶手 Grip Rail	K-8599-CP
(适用于K-940T-GR, K-941T-GR, K-943T-GR / For K-940T-GR, K-941T-GR, K-943T-GR)	
可调节支撑脚 Adjustable feet	K-18416T-NA