

<p style="text-align: center;"><b>10686T</b> <b>10739T</b></p>	<p style="text-align: center;"><b>入墙式切换面板</b> <b>入墙式面板</b></p>
<p><b>安装之前</b></p>	<p><b>BEFORE YOU BEGIN</b></p>
<p>所有的资料是按最新出版的产品资料编写而成。科勒公司保留任何时候不经通知即可改变产品特性、包装或产品可供类型的权利。</p> <p>说明书包括重要的安装、保养及清洁方面的内容,请把这些资料交给用户阅读。</p> <p><b>注意事项:</b></p> <ol style="list-style-type: none"> <li>一定要先彻底冲洗供水管以清除管道中的杂质。</li> <li>在说明书所指示的恰当时候,拿掉阀芯保护套。</li> <li>参照 10686T 安装尺寸安装阀体 11737T,参照 10739T 安装尺寸安装阀体 11738T。</li> </ol>	<p>All information is based on the latest product information available at the time of publication. Kohler Co. reserves the right to make changes in product characteristics, packaging, or availability at any time without notice.</p> <p>Please leave these instructions for the consumer. They contain important information.</p> <p><b>Notes:</b></p> <ol style="list-style-type: none"> <li>Flush the water supply pipes thoroughly to remove debris.</li> <li>Do not remove the plastic guard from the valve body until instructed to.</li> <li>Install valve 11737T according to the rough-in dimensions of 10686T, Install valve 11738T according to the rough-in dimensions of 10739T.</li> </ol>
<p><b>使用说明</b></p>	<p><b>HANDLE OPERATION</b></p>
<p>轻轻转动手柄,冷热水操作如下图所示。</p>	<p>Turn the handle gently. Turning for hot and cold water as shown below.</p>
<p><b>安装尺寸</b></p>	<p><b>ROUGH-IN DIMENSIONS</b></p>
<div style="display: flex; justify-content: space-between;"> <div style="width: 45%;"> <p style="text-align: center;"><b>10686T</b></p> </div> <div style="width: 45%;"> <p style="text-align: center;"><b>10739T</b></p> </div> </div> <div style="text-align: right; margin-top: 20px;"> <p>Handle Selection 把手选择</p> <p>Cross Handle 十字把手 10686T/10739T-3</p> <p>Lever Handle 一字型把手 10686T/10739T-4</p> </div>	

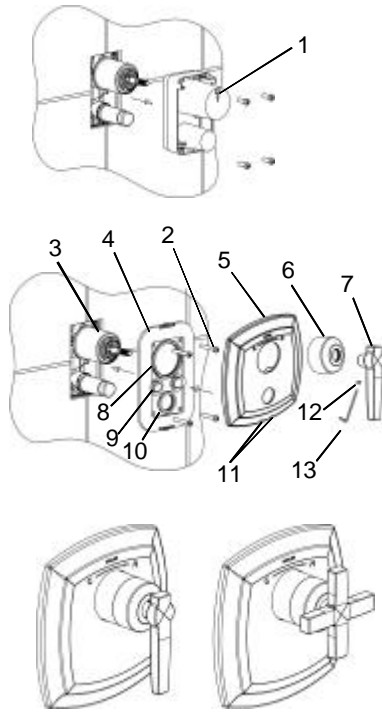
## 安装步骤

**注意:**参照 10686T 安装尺寸安装阀体 11737T,参照 10739T 安装尺寸安装阀体 11738T。

墙面装修好后,拿掉保护套(1)。

将安装盘组件(4)套入阀体(3),凸起(9)朝外(**注意:**勿将环 8、10 挤出),将其后推,直至与墙面接触。用螺钉(2,长 50mm)固定安装盘组件。将面板(5)套在阀体上,使开槽(11)向下。将其后推,直至与墙面接触。旋紧装饰盖(6)。将把手(7)装到阀柄上,用六角扳手(13)锁紧螺钉(12)。

阀处于关闭位置把手的状态如图所示。



## INSTALLATION

**Note:** Install valve 11737T according to the rough-in dimensions of 10686T, Install valve 11738T according to the rough-in dimensions of 10739T.

Remove the plastic guard(1) after completed the finished wall.

Slide the cover kit(4) onto the valve(3) with the plugs(9) facing outside(**Note:** Don't squeeze out the rings 8,10). Push it against the wall. Secure it with the screws(2, length 50mm). Slide the faceplate(5) onto the valve with slots(11) downwards. Push it against the wall. Screw the bonnet(6). Install the handle(7) on the valve. Tighten the screw(12) with hex wrench(13).

The illustration shown is the correct position of the handles in the closed position.

## 清理说明

适用于所有加工处理过的表面:以中性肥皂温水清洗镀层表面,再以干净的软布彻底擦干整个表面。许多清洁剂,比如氨水、去污粉及洁厕灵等,会对电镀表面造成伤害而不宜使用。

有腐蚀性的清洁剂或溶剂不可使用于科勒牌的水龙头及其附件上。

## CLEANING INSTRUCTIONS

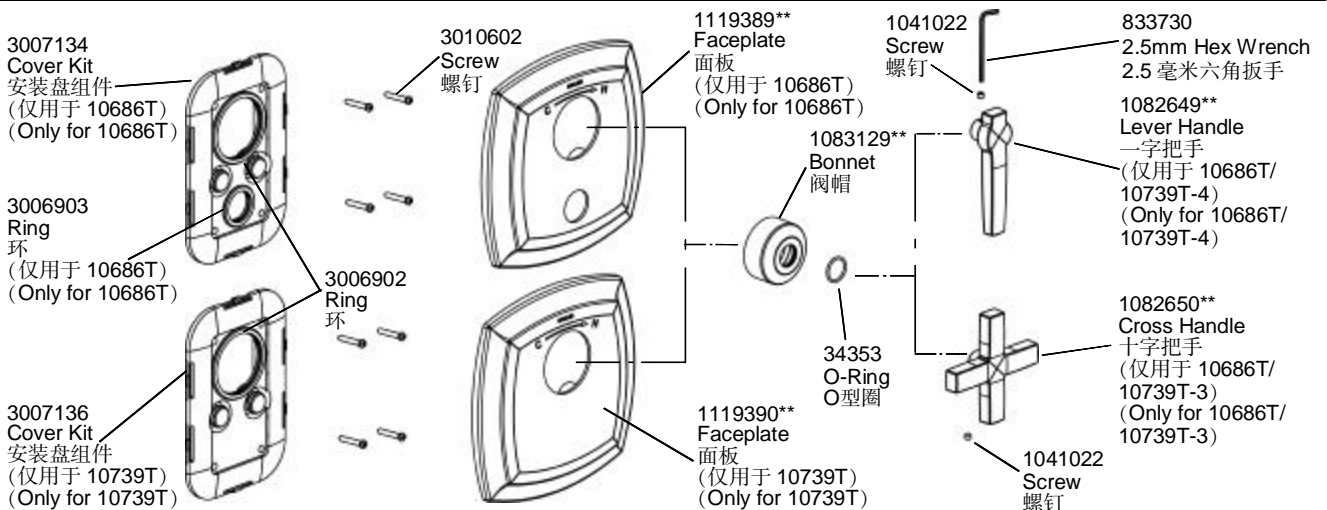
All Finishes: Clean the finish with mild soap and warm water. Wipe entire surface completely dry with clean soft cloth.

Many cleaners may contain chemicals, such as ammonia, chlorine, toilet cleaner etc. which could adversely affect the finish and are not recommended for cleaning.

Do not use abrasive cleaners or solvents on Kohler faucets and fittings.

## 零件图

## SERVICE PARTS



\*\*订购时请说明颜色编号

\*\*Color code must be specified when ordering.