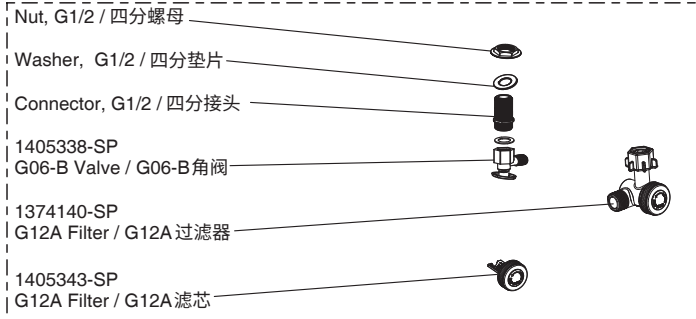


K-P25440T-\*/K-25440T-\*/K-39570T-\*/K-P39570T-\*/K-25439R-PNE/K-25440H-PNE/K-25440K-PNE  
K-25440A-PNE/K-32617MY-PNE/K-25441TW-PNE

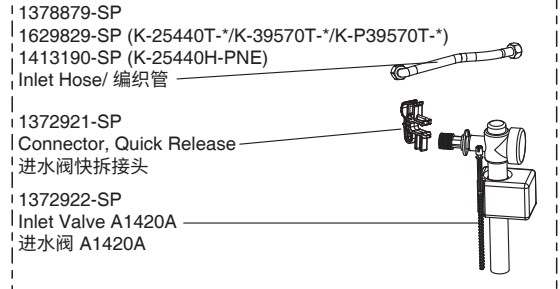
**Inlet Mounting Kit / 进水安装组件**



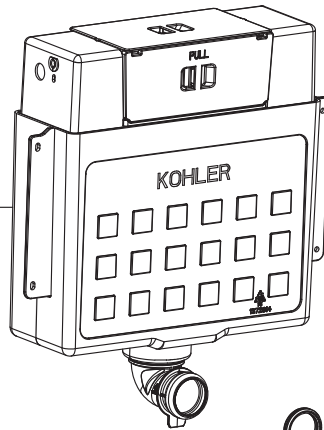
1372920-SP

1632042-SP (K-25440T-\*/K-39570T-\*/K-P39570T-\*)

Fill Valve Assy./ 进水阀组件

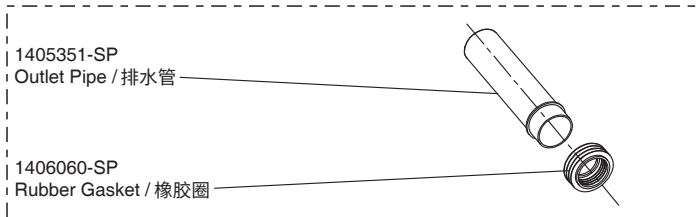


Tank Assy. / 水箱组件



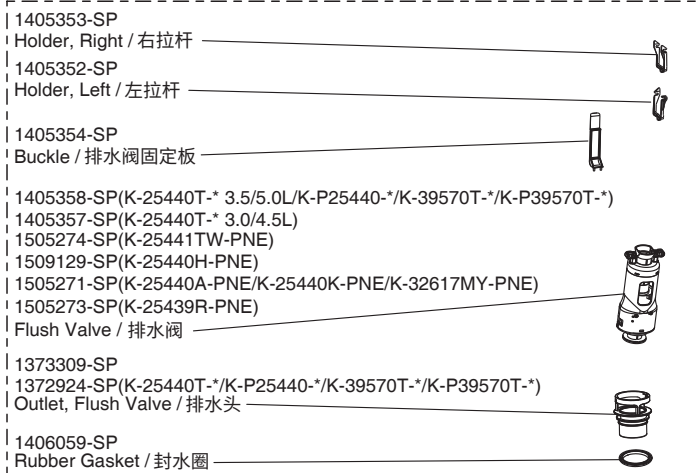
1360107-SP  
Outlet Pipe, Gasket  
出水胶圈

1372918-SP  
Outlet Pipe Assy. / 排水管组件

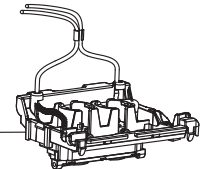


1472638-SP  
Rubber Gasket, Big  
(For Separate Purchase)  
大橡胶圈(可选配)

**Flush Valve Assy. / 排水系统组件**



1372925-SP  
Lever Assy.  
杠杆组件



1405369-SP  
Air Hose, Dark Blue 1.5m  
深蓝色气管1.5m

1405368-SP  
Air Hose, KOHER Blue 1.5m  
科勒蓝气管1.5m

1405370-SP  
Spring / 弹簧

1405371-SP  
Sleeve, Air Hose / 气管套

1410780-SP  
Air Hose, Dark Blue 4m  
(For Separate Purchase)  
深蓝色气管4m(可选配)

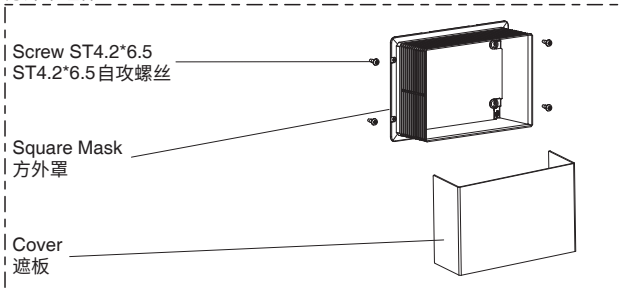
1410781-SP  
Air Hose, KOHER Blue 4m  
(For Separate Purchase)  
科勒蓝气管4m(可选配)

1594897-SP  
Toilet Detergent Box / 洁厕剂盒组件

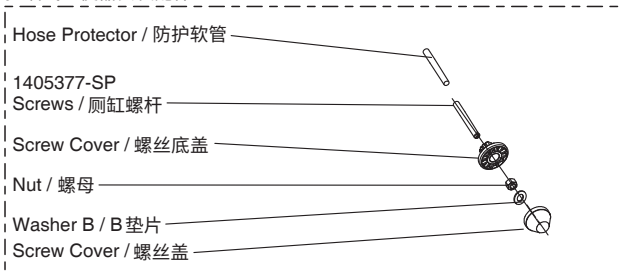


K-P25440T-\*/K-25440T-\*/K-39570T-\*/K-P39570T-\*/K-25439R-PNE/K-25440H-PNE/K-25440K-PNE  
K-25440A-PNE/K-32617MY-PNE/K-25441TW-PNE

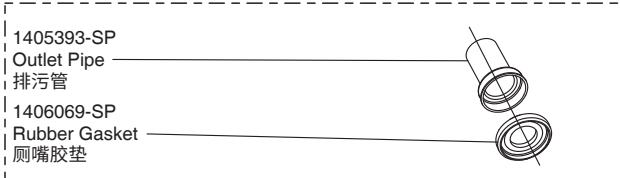
1360118-SP  
Square Mask Assy.  
方外罩组件



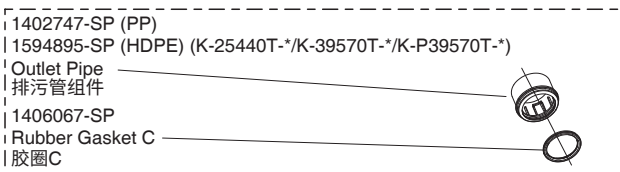
1360138-SP  
Assembly Kit for Wall-Hung Bowl/  
挂墙式坐便器安装配件



1402748-SP  
Outlet Pipe Assy. For VC  
陶瓷排污直管组件

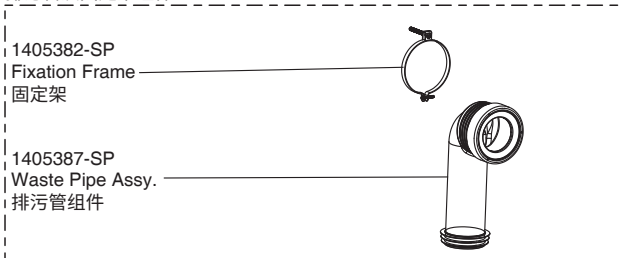


1402746-SP (PP)  
1619063-SP (HDPE) (K-25440T-\*/K-39570T-\*/K-P39570T-\*)  
Waste Pipe Assy. P-trap  
排污管组件横排

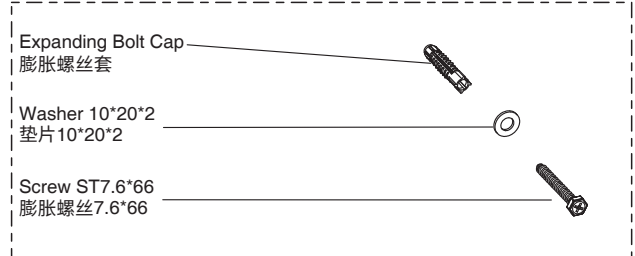


1550913-SP  
Plug, Big  
大堵头

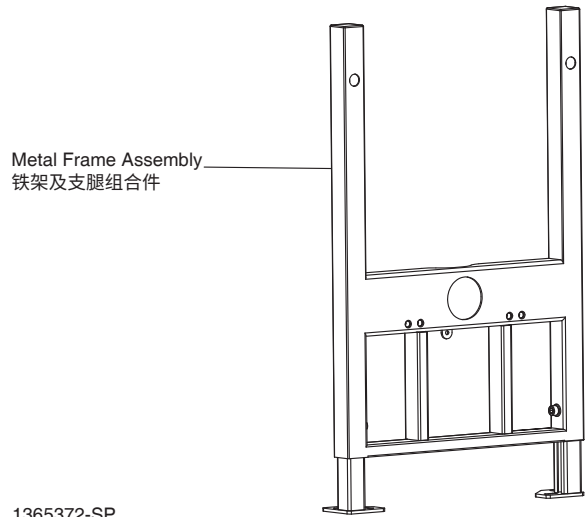
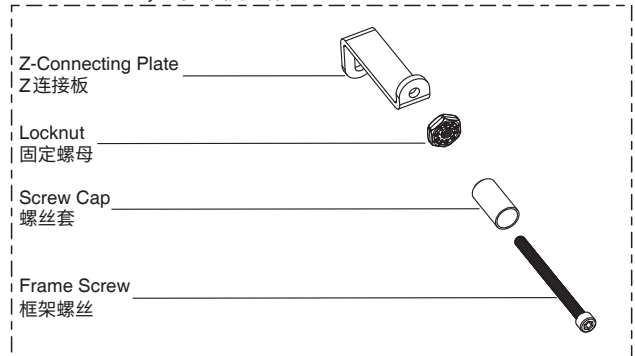
1397258-SP  
Waste Pipe Assy With Fixation Frame  
排污管及固定架组件



1358174-SP  
Fitting Kits / 膨胀螺丝组件



1372927-SP  
Screw Base Assy / 螺丝固定组件



1365372-SP  
Support Foot, Left  
左支腿235mm

1365371-SP  
Support Foot, Right  
右支腿235mm

1409101-SP  
Support Foot, Left  
(For Separate Purchase)  
左支腿400mm (可选配)

1409102-SP  
Support Foot, Right  
(For Separate Purchase)  
右支腿400mm (可选配)

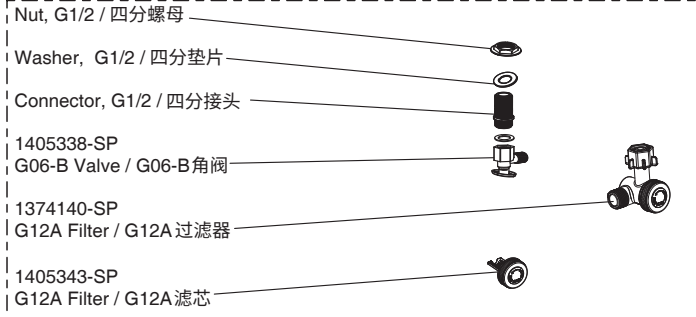
**Note:** -\* is the code for wall-hung or wall-faced toilet series that in-wall tank can match with, which may represent VL, RE, VAW, DNW, VL4, VL2, VL2S.

VLL indicates that the VL series toilet is equipped with a long leg.

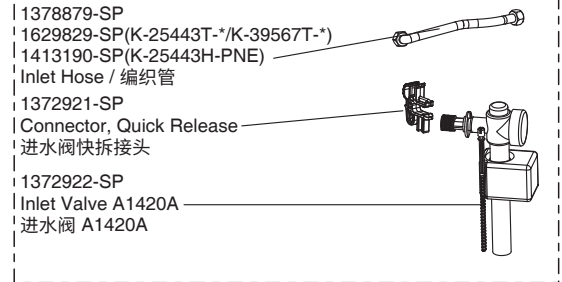
**注:** -\* 为入墙水箱可匹配的挂墙马桶或落地马桶产品系列代码, 有 VL、RE、VAW、DNW、VL4、VL2、VL2S 等系列。

VLL表示VL系列马桶配备了长支脚水箱, 以此类推。

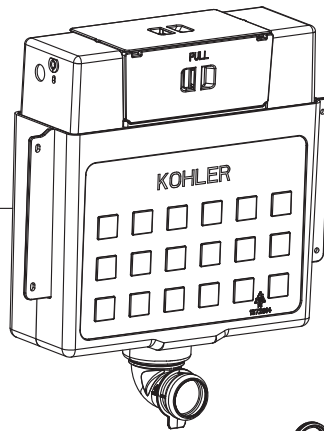
**Inlet Mounting Kit / 进水安装组件**



1372920-SP  
 1632042-SP(K-25443T-\*/K-39567T-\*)  
 Fill Valve Assy./ 进水阀组件

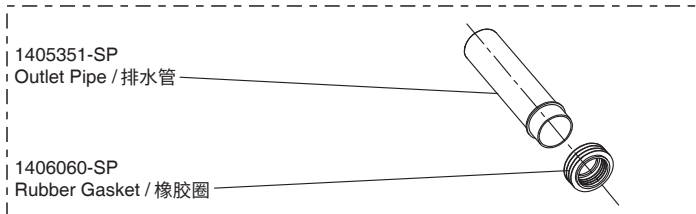


**Tank Assy. / 水箱组件**



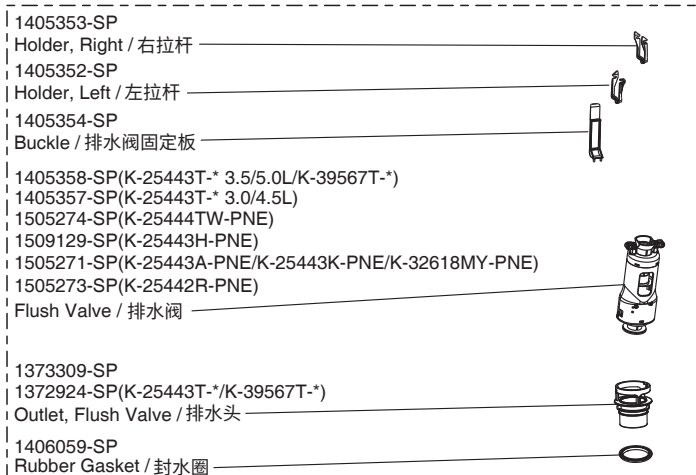
1360107-SP  
 Outlet Pipe, Gasket  
 出水胶圈

**1372918-SP  
 Outlet Pipe Assy. / 排水管组件**

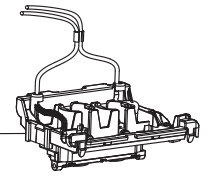


1472638-SP  
 Rubber Gasket, Big  
 (For Separate Purchase)  
 大橡胶圈 (可选配)

**Flush Valve Assy. / 排水系统组件**



1372925-SP  
 Lever Assy.  
 杠杆组件



1405369-SP  
 Air Hose, Dark Blue 1.5m  
 深蓝色气管1.5m

1405368-SP  
 Air Hose, KOHER Blue 1.5m  
 科勒蓝气管1.5m

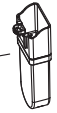
1405370-SP  
 Spring / 弹簧

1405371-SP  
 Sleeve, Air Hose / 气管套

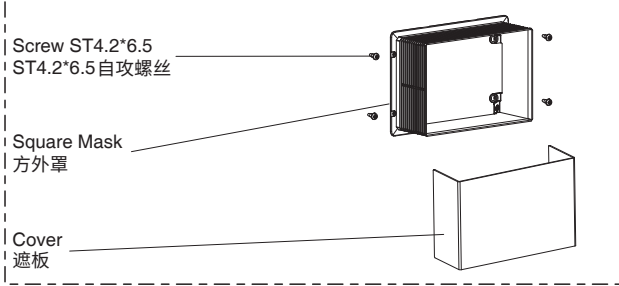
1410780-SP  
 Air Hose, Dark Blue 4m  
 (For Separate Purchase)  
 深蓝色气管4m(可选配)

1410781-SP  
 Air Hose, KOHER Blue 4m  
 (For Separate Purchase)  
 科勒蓝气管4m(可选配)

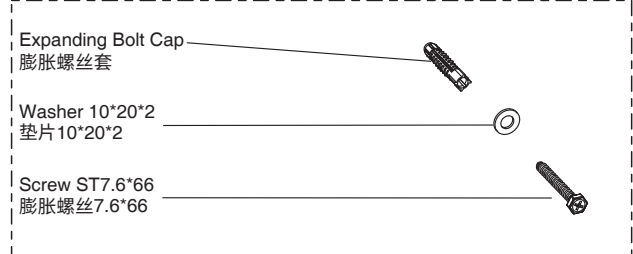
1594897-SP  
 Toilet Detergent Box / 洁厕剂盒组件



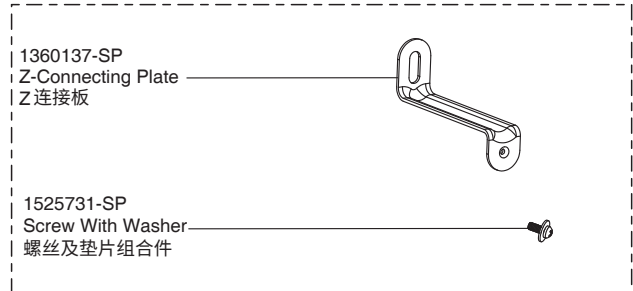
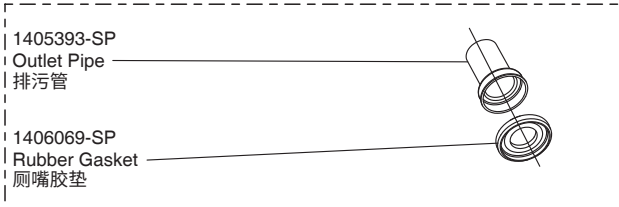
1360118-SP  
Square Mask Assy.  
方外罩组件



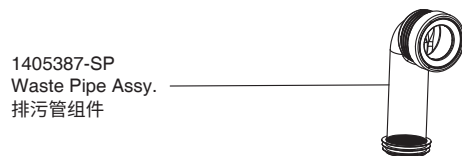
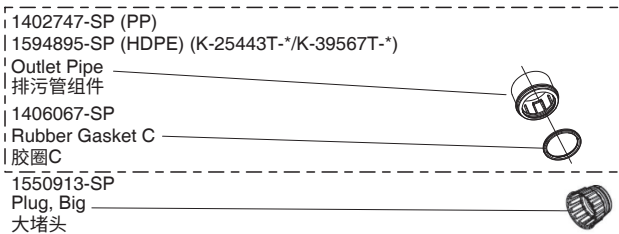
1358174-SP  
Fitting Kits / 膨胀螺丝组件



1402748-SP  
Outlet Pipe Assy. For VC  
陶瓷排污直管组件



1402746-SP (PP)  
1619063-SP (HDPE) (K-25443T-\*/K-39567T-\*)  
Waste Pipe Assy. P-trap  
排污管组件横排



**Note:** -\* is the code for wall-hung or wall-faced toilet series that in-wall tank can match with, which may represent VL, RE, VAW, DNW, VL4.

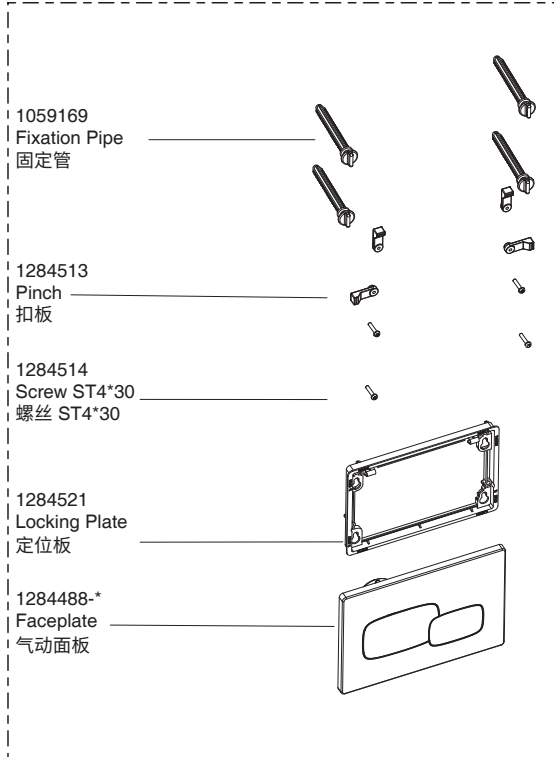
VLL indicates that the VL series toilet is equipped with a long leg.

**注:** -\* 为入墙水箱可匹配的挂墙马桶或落地马桶产品系列代码, 有 VL、RE、VAW、DNW、VL4 等系列。

VLL表示VL系列马桶配备了长支脚水箱, 以此类推。

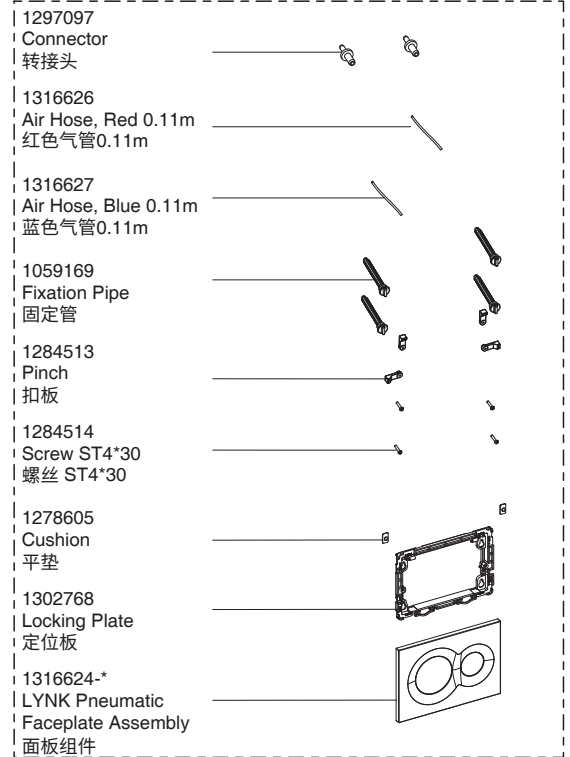
K-20341T-PNE-\*

PEBBLE Pneumatic In-Wall Tank Faceplate  
佩欧珀入墙式隐藏水箱面板 (气动版)



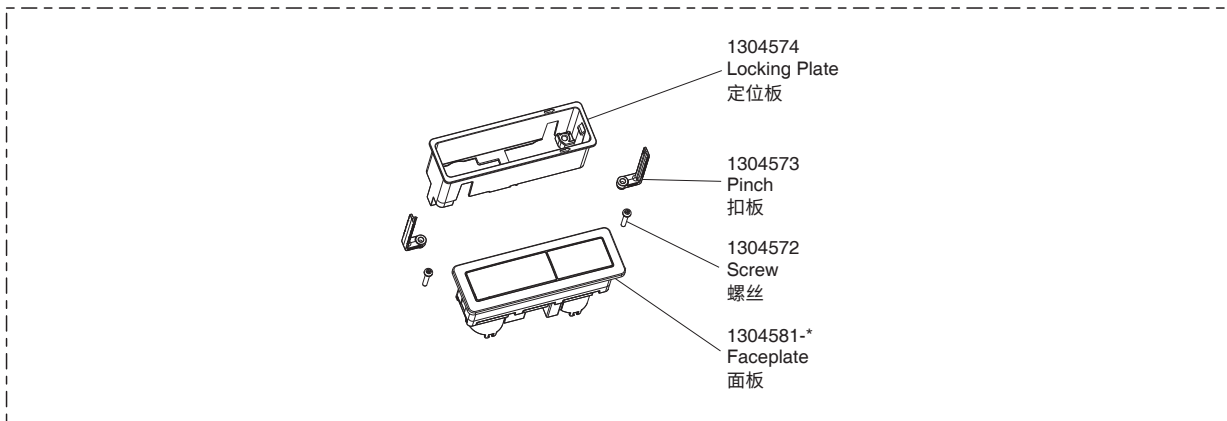
K-75890T-PNE-\*

LYNK Pneumatic Faceplate  
灵珂气动隐藏水箱面板



K-23055T-PNE-\*

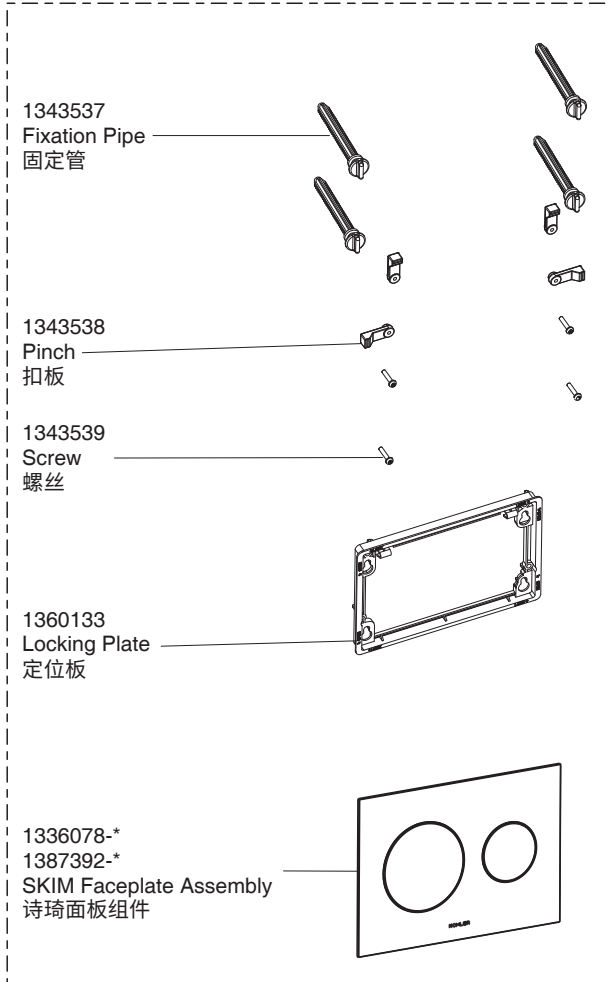
MODERN Life Small Faceplate  
明莱隐藏式水箱面板



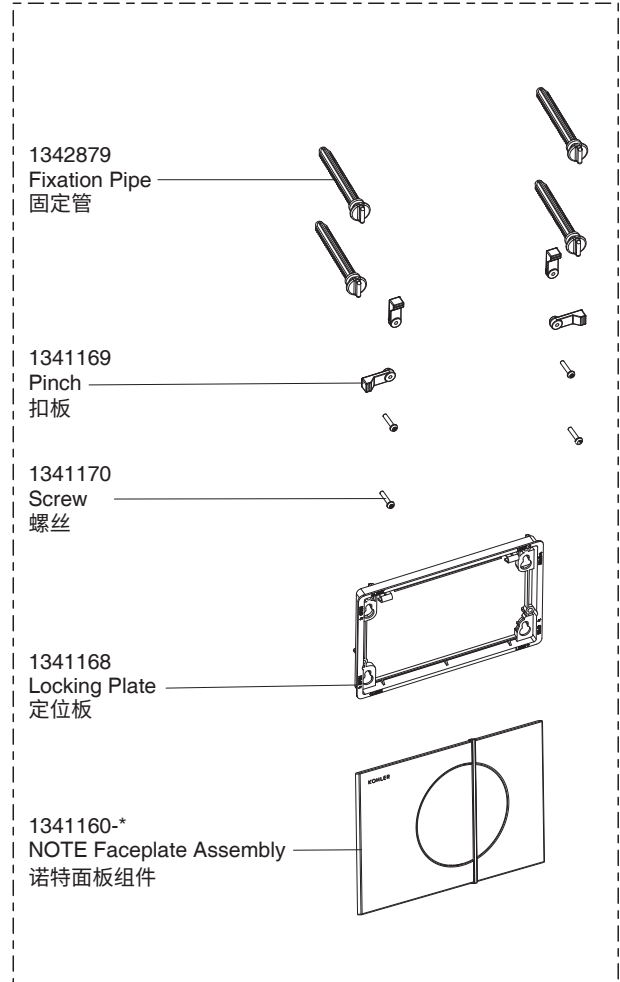
Color code (-\*) or finish (-\*\*) must be specified when ordering.

订购时请说明颜色代码 (-\*) 或表面处理 (-\*\*)

K-24149T\*/K-24151T\*  
SKIM PNE IWT Faceplate  
诗琦气动隐藏水箱面板



K-75891T-PNE\*  
NOTE Pneumatic In-Wall Tank Faceplate  
诺特气动隐藏水箱面板



Color code (-\*) or finish (-\*\*) must be specified when ordering.

订购时请说明颜色代码 (-\*) 或表面处理 (-\*\*)