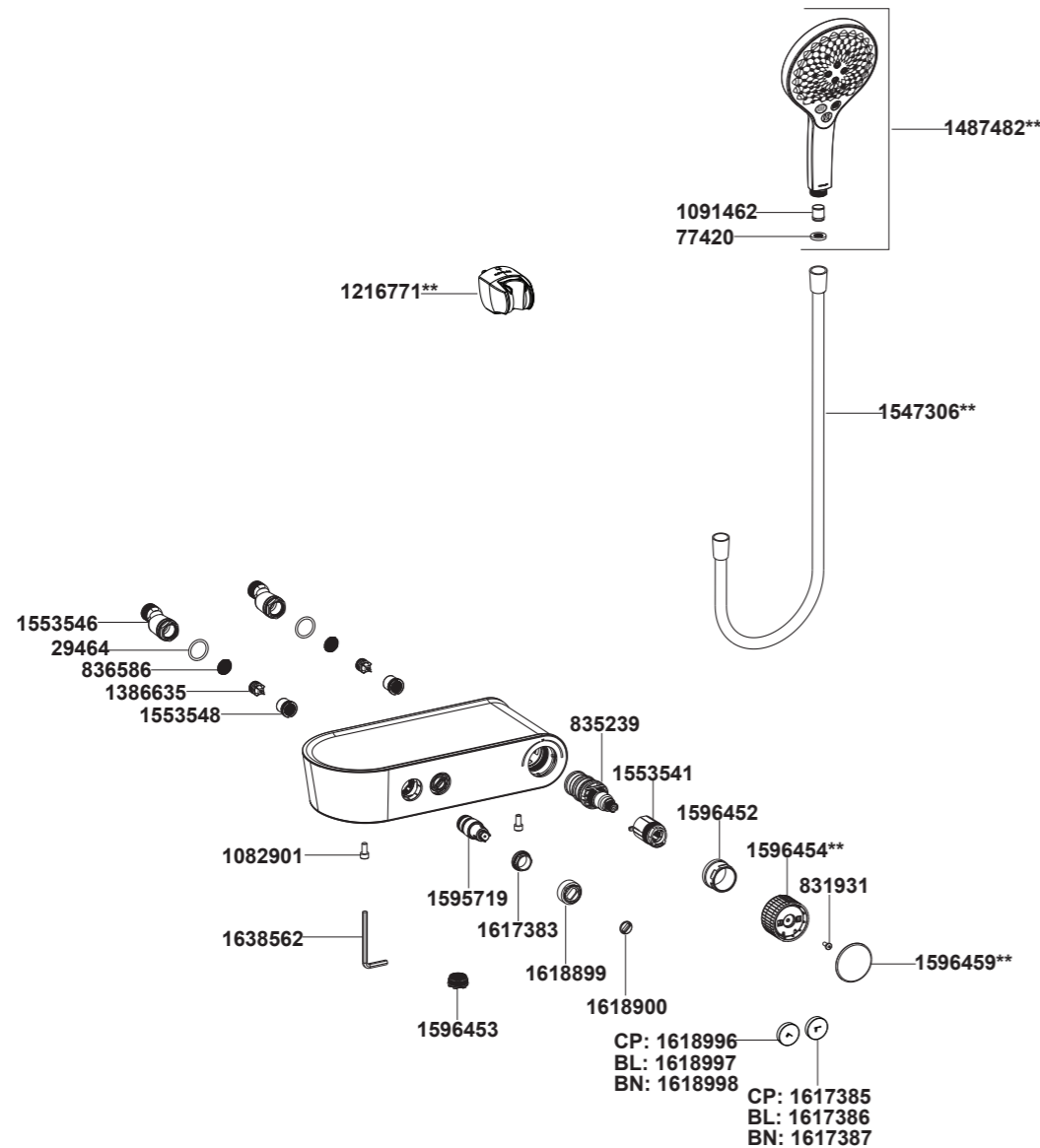


36520T-9 挂墙式恒温浴缸花洒龙头



\*\*订购时请说明颜色编号

\*\*Color code must be specified when ordering

36519T-9 挂墙式恒温花洒龙头

36520T-9 挂墙式恒温浴缸花洒龙头

### 安装之前

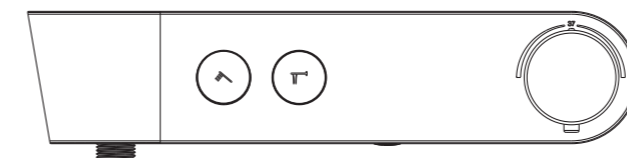
所有的资料是按最新出版的产品资料编写而成。科勒公司保留任何时候不经通知即可改变产品特性、包装或产品可供类型的权利。

说明书包括重要的安装、保养及清洁方面的内容，请把这些资料交给用户阅读。

#### 注意事项：

1. 最小供水压力：0.05MPa(0.5bar)。
2. 推荐冷热供水的静态压力：0.3MPa(3bar)。
3. 如果供水压力大于0.5MPa(5bar)，安装减压阀。
4. 热供水温度最低：50°C；最高：80°C。
5. 推荐的热供水温度：65°C。
6. 温度的设定基本范围为：20°C到49°C。
7. 安全限位温度：37°C。
8. 最高混合温度：49°C。
9. 花洒最高工作温度及环境温度：60°C。请特别注意花洒同花洒连接的臂管须远离浴霸，否则可能损坏花洒及其密封件，甚至对使用者造成伤害。

### 使用说明



慢慢旋转温控把手即右把手，调整温度，安全限位温度为37°C。如果想得到更高温度，按住按钮继续逆时针旋转。

出水方式是通过开关按键来控制。按压本体上任意开关按键，相应功能开启。

### BEFORE YOU BEGIN

All information is based on the latest product information available at the time of publication. Kohler Co. reserves the right to make changes in product characteristics, packaging, or availability at any time without notice.

Please leave these instructions for the consumer. They contain important information.

#### NOTES:

1. Minimum supply pressures: 0.05MPa(0.5bar).
2. Recommended supply static pressures: 0.3MPa (3bar) on hot and cold water.
3. Supply pressure greater than 0.5MPa(5bar): install a pressure reducer.
4. Hot water temperatures, minimum: 50°C, maximum: 80°C.
5. Recommended hot water temperature: 65°C (energy-saving).
6. Setting range, approximately: 20°C to 49°C.
7. Safety stop at: 37°C.
8. Maximum mixed water temperature: 49°C.
9. The highest environment temperature for handshower & showerhead is 60°C. Please keep the handshower, showerhead and shower arm away from heater, or it may become damaged and cause injury to the user.

### OPERATION INSTRUCTIONS

#### 开关按键图标说明

#### Icon description for switch button



手持花洒  
Handshower



浴缸出水口  
Bath spout  
(Only for 36520T)

The temperature is set by slowly turning the temperature selector(right-hand handle). For safety reasons, there is a stop that limits temperature to 37°C. To get a higher temperature, push the button and continue turning the temperature selector counter-clockwise. Water flow is set by turning the left-hand handle.

Water dispense is set by switch buttons. Press any switch button on the faucet body, the water will run from corresponding outlet.



## 清洗说明

适用于所有加工处理过的表面：以中性肥皂水清洗镀层表面，再以干净的软布彻底擦干整个表面，许多清洁剂，比如氨水、去污粉及洁厕灵等，会对电镀表面造成伤害，切忌使用。

有磨损性的清洁用具或清洁剂也不可适用于科勒牌的水龙头及其配件上。

## CLEANING INSTRUCTIONS

All Finishes: Clean the finish with mild soap and warm water. Wipe entire surface completely dry with clean soft cloth. Many cleaners may contain chemicals, such as ammonia, chlorine, toilet cleaner etc. which could adversely affect the finish and are not recommended for cleaning.

Do not use abrasive cleaners or solvents on Kohler faucets and fittings.

## 安装步骤

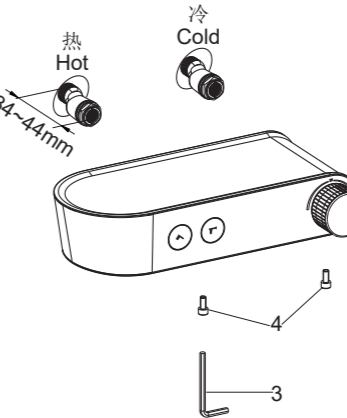
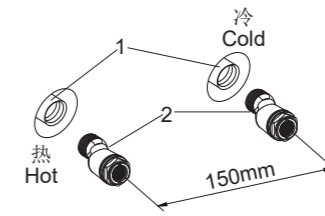
### 如何安装水龙头

为使安装顺利，G1/2"内螺纹管道配件(1)应已安装好，预留150mm间距，保持水平。管道配件要垂直并不能凸出装修好的墙面。热供水管装在左边。彻底冲洗供水管，以清除管路中的杂质。

在两个接头(2)涂上密封胶或缠绕足以密封的密封胶带，旋入冷热水管中。调节两个接头，使其中心距离为150mm，并保持同一水平。它们凸出墙面的尺寸应该在34到44mm之间。

用5mm六角扳手(3)调整两个紧固螺钉(4)，将龙头本体插入两个进水接头，使本体贴紧墙面。

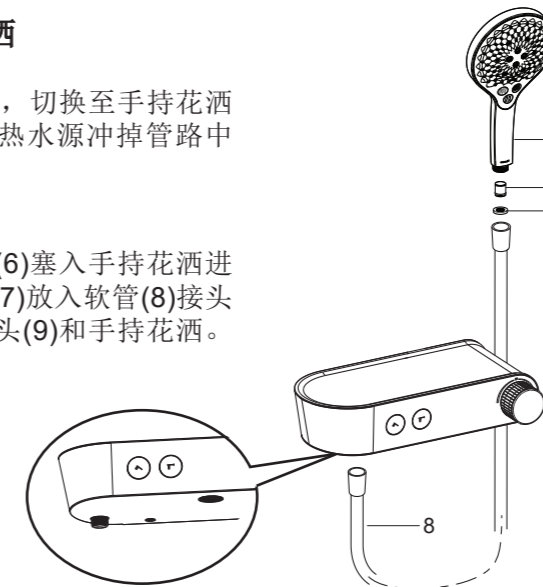
用5mm六角扳手锁紧两个紧固螺钉。



### 如何安装手持花洒

安装手持花洒(5)前，切换至手持花洒出水状态，打开冷热水源冲掉管路中的杂质。

根据需要将单向阀(6)塞入手持花洒进水口，将滤网垫片(7)放入软管(8)接头内，用软管连接接头(9)和手持花洒。锁紧所有衔接螺母。

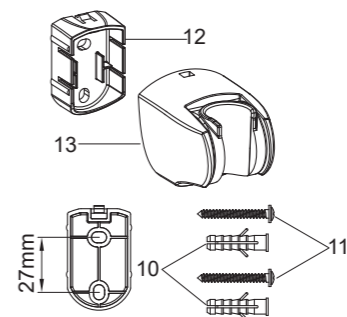


### 如何安装托架

在墙面选一合适的位置来安装托架。根据孔距在墙面标记钻孔的位置，依据胀塞(10)直径打孔，安装胀塞。

旋紧螺钉(11)，使底座(12，平面朝上)固定紧贴墙壁。将托架(13)扣在底座上，使凸台嵌入豁口。

把手持花洒挂在托架上。



## INSTALLATION

### How to Install the Faucet

To perform installation, installer must provide G1/2" female supply fittings(1), spaced 150mm apart and horizontally. The supply fittings should be vertical and not beyond the finished wall. Hot supply pipe must be located on the left. Flush the water supply pipes thoroughly to remove debris.

Use appropriate thread sealants or thread tape on the threads of offset connectors(1). Install two offset connectors into the hot and cold supply pipes. Adjust the center-to-center distance between the connectors to 150mm horizontally. They should extend 34 to 44mm beyond the finished wall.

Adjust two screws(4) with 5mm hex wrench (3). Install the faucet body to the connectors until it is against the finished wall.

Tighten two screws with 5mm hex wrench.

### How to Install the Handshower

Ensure it is in the position for handshower (5). Flush hot and cold water supplies to remove any debris before the handshower is installed.

Put the check valve(6) into the handshower if needed. Put the screen washer(7) into the hose(8). Connect the connector(9) and handshower with hose. Tighten all the connectors.

### How to Install the Bracket

Determine a suitable location on the finished wall to install the bracket. Mark the mounting hole locations of the bracket base on the wall according to the dimension. Drill two holes on the finished wall, the holes should match the anchors(10). Install the anchors.

Tighten the screws(11) to secure the bracket base(12, flat side upward). Put the bracket(13) onto the bracket base and locked by stopper.

Hang the handshower on the bracket.

## 安装结果检查

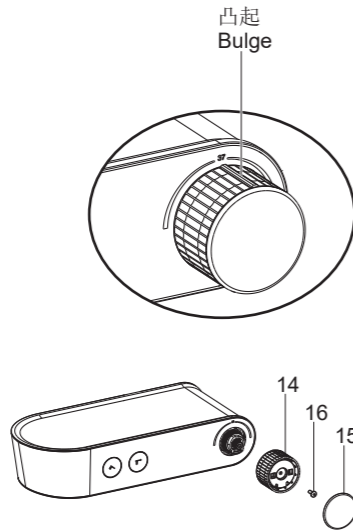
检查并确保所有衔接处都已拧紧，确保把手在关闭位置。

打开水源，使其流入阀芯。检查所有连接处是否漏水，根据需要修理之。

## 温度测试与调整

温度测试前，应确保供水系统充分且有较高的温度。温控把手(14)上的凸起朝向正上方且与本体上的数字37对齐时，打开龙头让水流出。进行温度测量，出厂时温度设定在36~38°C范围之内。如果超出这个范围，要进行调整。调整步骤如下：

取下把手上盖(15)，用螺丝刀取出螺钉(16)，卸下温控把手(14)。



## INSTALLATION CHECKOUT

Make sure that all connections are tight, the handles are in closed position.

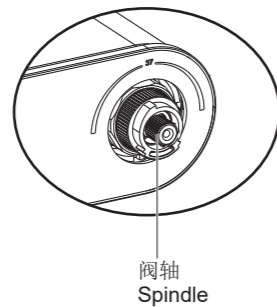
Turn on the water supply. Run water through the valve. Check for leakage. Repair as needed.

## Verification and Setting

Ensure that the water feeds of the faucet have reach the highest temperature by running the water sufficiently. When the bulge on the temperature handle(14) is facing upwards and aligned with the number 37 on the faucet body, the water temperature should be within a range of 36°C~38°C, as measured by a thermometer. If not, the installer can adjust the setting. Proceed with the setting as follows:

Remove the plug(15). Remove the screw (16) with a screwdriver. Take out the temperature handle(14).

在正常水流状态下，由冷水位置开始慢慢转动温控阀轴(保持同一方向)直至获得37°C水流。如温度超过37°C，回到冷水位置重新调整。温度稳定后，不要转动温控阀轴，安装温控把手(14)，使温控把手上的凸起朝向正上方且与本体上的数字37对齐。用螺丝刀锁紧螺钉(16)，安装把手上盖(15)。



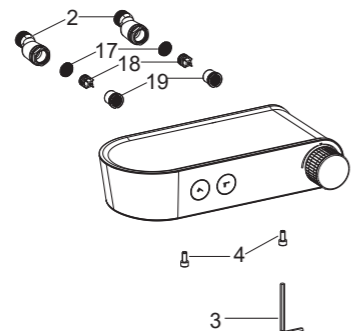
Under the normal condition of water flow, slowly turn the temperature selector (Always in the same direction) from the cold water position until water temperature reaches 37°C. If the temperature goes over 37°C, go back to the "cold" setting and reset it. When the temperature is stable, do not turn the cartridge spindle. Install the temperature handle(14). Ensure the bulge on the temperature handle is facing upwards and aligned with the number 37 on the faucet body. Tighten the screw(16) with a screwdriver. Install the plug(15).

## 维护与保养

### 如何清洗滤网

滤网可起到保护龙头的作用，但长时间使用后，水垢或杂质可能会堵塞滤网，降低水流量。如果有类似情况发生，关闭水源，卸下淋浴柱。

用5mm六角扳手(3)旋出两个紧固螺钉(4)，卸下龙头。将滤网垫片(17)、单向阀(18)和滤芯(19)从进水接头(2)上旋出。用热醋清洗滤网。然后依次装回。



## CARE AND MAINTENANCE

### How to Clear the Filter

The filters can protect the faucet, but it may get obstructed and reduce water flow after a long time of use. If this happens, turn off the water supply, uninstall the shower column.

Unscrew two screws(4) with 5mm hex wrench(3) to uninstall the faucet. Unscrew the washer(17), check valve(18) and filters (19) from the connectors(2). Clean the filters by soaking them in warm vinegar. Reinstall them in turn.

## 如何清洗温控阀

如果供水的水质较硬或长时间使用，水垢或杂质会阻塞温控阀上的滤网，流量会降低。需要清理请按照下列步骤进行：

关闭供水系统，使流量阀处于打开位置后进行温控阀的拆卸作业。温控阀是较敏感的配件，要十分小心。

拆卸前确保温控把手(14)上的凸起朝向正上方且与本体上的数字37对齐。取下把手上盖(15)，用螺丝刀取出螺钉(16)，卸下温控把手(Fig.1)。

将螺母(20)和塑料套(21)卸下。小心地卸下温控阀(22)。用热醋进行清洗(Fig.2)。

清洗后，将螺母和塑料套(限位组件20 & 21)装到温控阀上，使塑料套的定位柱嵌入温控阀的限位槽内(Fig.3)。

将塑料套的定位柱与龙头本体孔凹槽对齐，装入温控阀并锁紧螺母(Fig.4)。

**注意：**确保拆卸、安装过程中不要转动温控阀轴。如不小心转动了阀轴，要调整阀轴使外齿上的黑线标识与相邻的塑料套上的凹槽对齐(Fig.5)，或者按前述方法进行调整。

不要转动温控阀轴，安装温控把手(14)使温控把手上的凸起朝向正上方且与本体上的数字37对齐。用螺丝刀锁紧螺钉(16)，安装把手上盖(15)(Fig.1)。

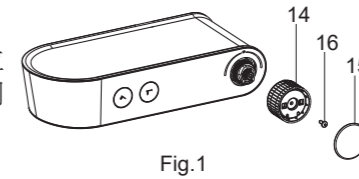


Fig.1

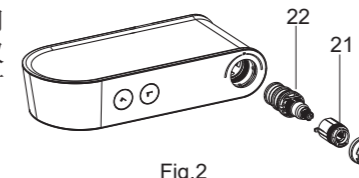


Fig.2

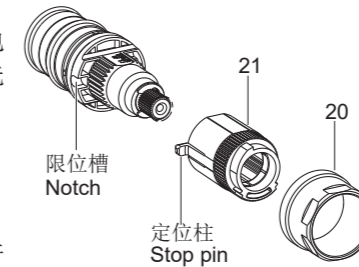


Fig.3

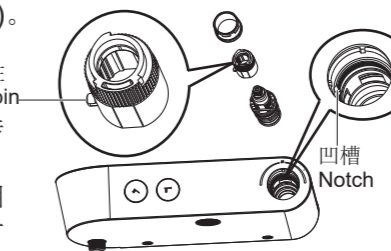


Fig.4

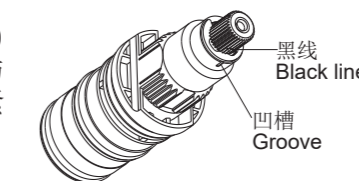


Fig.5

## How to Clear the Thermostatic Cartridge

Very hard water can obstruct filters on the thermostatic cartridge and reduce the water flow. Please clean the cartridge as follows:

Shut off the water supply of the faucet and turn on the water flow valve, then proceed to remove the cartridge. The cartridge is sensitive part, please be careful.

Before your action, ensure the bulge on the temperature handle(14) is facing upwards and aligned with the number 37 on the faucet body. Remove the plug(15). Remove the screw(16) with a screwdriver. Take out the temperature handle(Fig.1).

Unscrew the nut(20) and stopper(21). Remove the cartridge(22) cautiously. Clean the cartridge by soaking it in warm vinegar(Fig.2).

After cleaning, install the "stop assembly" (20 & 21) back on the cartridge, adjust the stop pin into the notch(Fig.3).

Install the assembly cartridge in the body, adjust the stop pin into the notch(Fig.4).

**NOTE:** Do not turn the cartridge when reinstalling it. If you turn it accidentally, you should adjust it and be sure that the black line is correctly in line with the groove(Fig.5), or readjust as per the steps of verification and setting.

Do not turn the cartridge spindle. Install the temperature handle(14). Ensure the bulge on the temperature handle is facing upwards and aligned with the number 37 on the faucet body. Tighten the screw(16) with a screwdriver. Install the plug(15) (Fig.1).